

Technical Information

No. FO 5803

Edition: 06/14 - subject to change

Supersedes: 01/14

Status: valid

Mercury Discharge Lamp

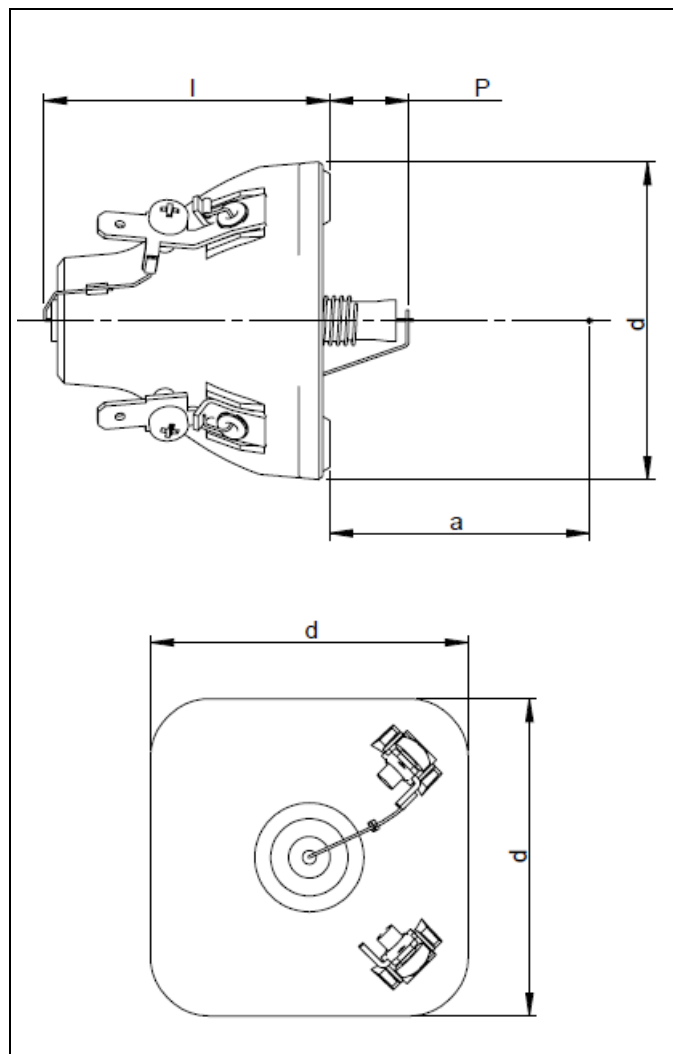
SIRIUS HRI[®] 132W

■ Product description

The OSRAM SIRIUS HRI[®] 132W with its focusing dichroic reflector is highly efficient and optimized for light guide applications. The distance between the reflector's alignment plane and the second focal point (working distance) is 37.7mm. Main applications of the SIRIUS HRI[®] 132W are moving head projectors.

■ Technical data

Order reference	SIRIUS HRI [®] 132W	
Rated lamp wattage	W	132
Rated lamp voltage	V	70
Rated lamp current (square)	A	1.9
Ignition voltage (cold/hot)	kV _s	2.5
Color temperature	K	9,200
Electrode gap	mm	1.0
Lamp length l	mm	max. 44
Burner excess P	mm	max. 13.5
Reflector diameter d	mm	46
Working distance a	mm	37.7
Average service life	h	6,000
Initial luminous flux (through aperture 5x3.8mm ²)	lm	5150
CRI		60



■ Lamp operation

Burning position	any
Electrical connection	Tyco FASTON 187 compatible tab terminal, along with threaded screw hole for M3 screw; flat pin connector possible; It is recommended that the screws be tightened down or removed before use.
Cooling	No need of forced bulb/lead wire cooling, but whole lamp cooling needed (refer to system specification)
Lamp driver	For best luminous efficiency and maintenance results, the SIRIUS HRI [®] 132W should be operated only with accordingly qualified electronic power supplies (e.g. use of OSRAM PT SIRIUS 132W, or equivalent ECG).